

dewpoint

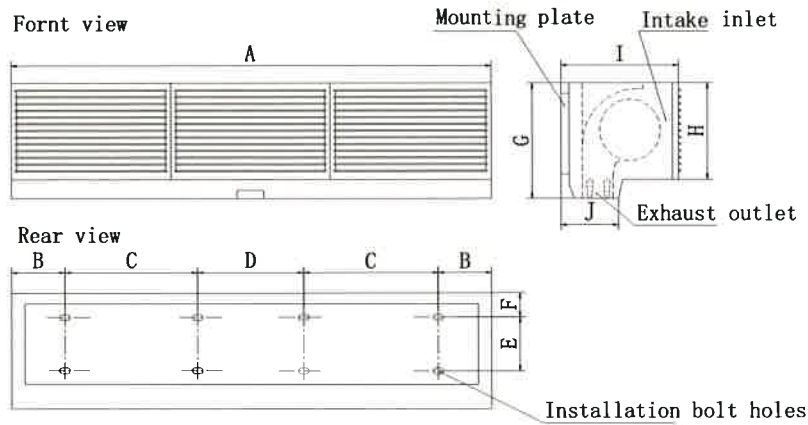


Air Curtains



- Invisible barrier to dust, smoke and unwanted odour
- Isolate air-conditioned space from outdoor air

SPECIFICATIONS & DIMENSIONS



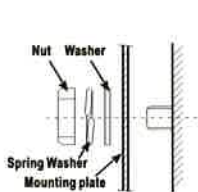
Model	Outlet Velocity (m/s)		Power Input (w)		Noise (dBA)	N.W. (Kg)	G.W. (Kg)	Dimensions(mm)									
	H	L	H	L				A	B	C	D	E	F	G	H	I	J
DA-1.25-09	11	9	140	120	51	15.5	17	900	130	190	260	80	35	230	180	205	85
DA-1.25-12			200	160	52	19	20.5	1200	130	340							
DA-1.25-15			280	230	54	24	25.5	1500	100	520							
DA-1.5-09	13	11	230	180	52	22	23.5	900	100	250	200	150	35	290	220	268	104
DA-1.5-12			300	230	53	24.5	26	1200	100	400							
DA-1.5-15			380	280	55	32	33.5	1500	100	550							

Power supply: 220-240V/1Ph/50Hz

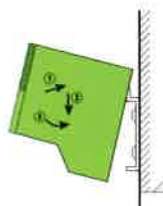
Design and specification are subject to change without prior notice

INSTALLATION METHODS

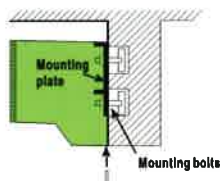
A. Mounting on Concrete



After marking the installation position with the mounting plate, screw the mounting bolts into the concrete wall and attach the mounting plate to them.

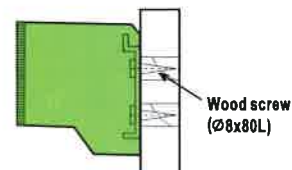


Hook the unit on to the upper part of the mounting plate.



Secure the unit with the fixing bolt provided

B. Mounting on Wooden Frame



Fix the mounting plate with the wood screws provided, hook the unit on to the screws, and secure the unit with the fixing bolt provided.

AIR VELOCITY CHART

